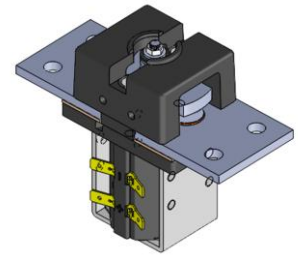


FEATURES

- 400A Contact Switching capability
- Application: For Electric Control System Of Communication Power Supply、Engineering Machine、Electro motion Forklift、Motor Car、Train、Watercraft and UPS etc.
- ROHS


Contactor Data

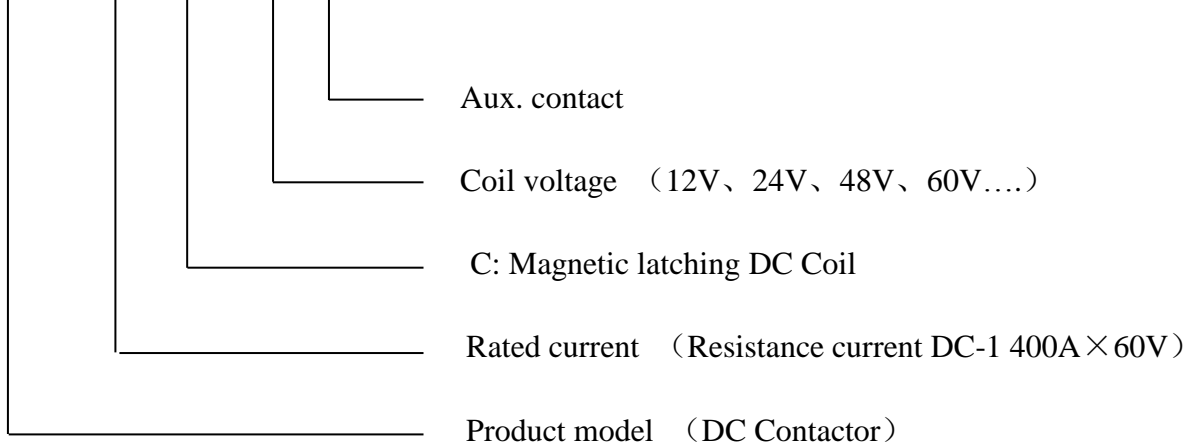
Model No.	ZLJM-400C/□
Contact Material	Ag Alloy
Contact Rating(at Resistive Load)	400A×60V DC
Contact Voltage Drop	400A@80mV Max.
Insulation Resistance	Min. 100MΩ at 500VDC
Dielectric Strength (Between Insulated Electric Parts)	1000VAC 50 Hz/60 Hz (1 minute)
Pick up time	Max. 30mSec.
Drop out time	Max. 30mSec.
DC-pulse duration	0.5S~1S
Ambient Temperature	-25℃~+60℃
Storage Temperature	-40℃~+65℃
Relative Humidity	+20%~+90% RH
Shocking of fixed point	(10~200)Hz、Acceleration≤3.5g
Shocking	(60~100)Ops./min、Acceleration≤4g
Mechanical Life Time	100,000 Operations (no load)
Electrical Life Time	6,000 Operations (at rated load)
Auxiliary contact switching capacities(Resistive load)	5A/24V DC; 2A/ 48VDC
Auxiliary contact switching capacities(Min. load)	100mA/5V
Pollution Level	III
Working Duty	Continuous

Coil Data

Model No.	Coil voltage	Coil Working voltage	Pick-up Voltage	Drop-out Voltage	Coil Holding Current	Coil power dissipation
ZLJM-400C	12	0.85U _s ~1.1U _s	20%~80%	20%~80%	≤1.2	15~45
	24				≤0.7	
	30				≤0.65	
	36				≤0.65	
	48				≤0.7	
	60				≤0.6	
	72				≤0.5	
	80				≤0.4	
	96				≤0.35	
	120				≤0.35	

■ Product Model

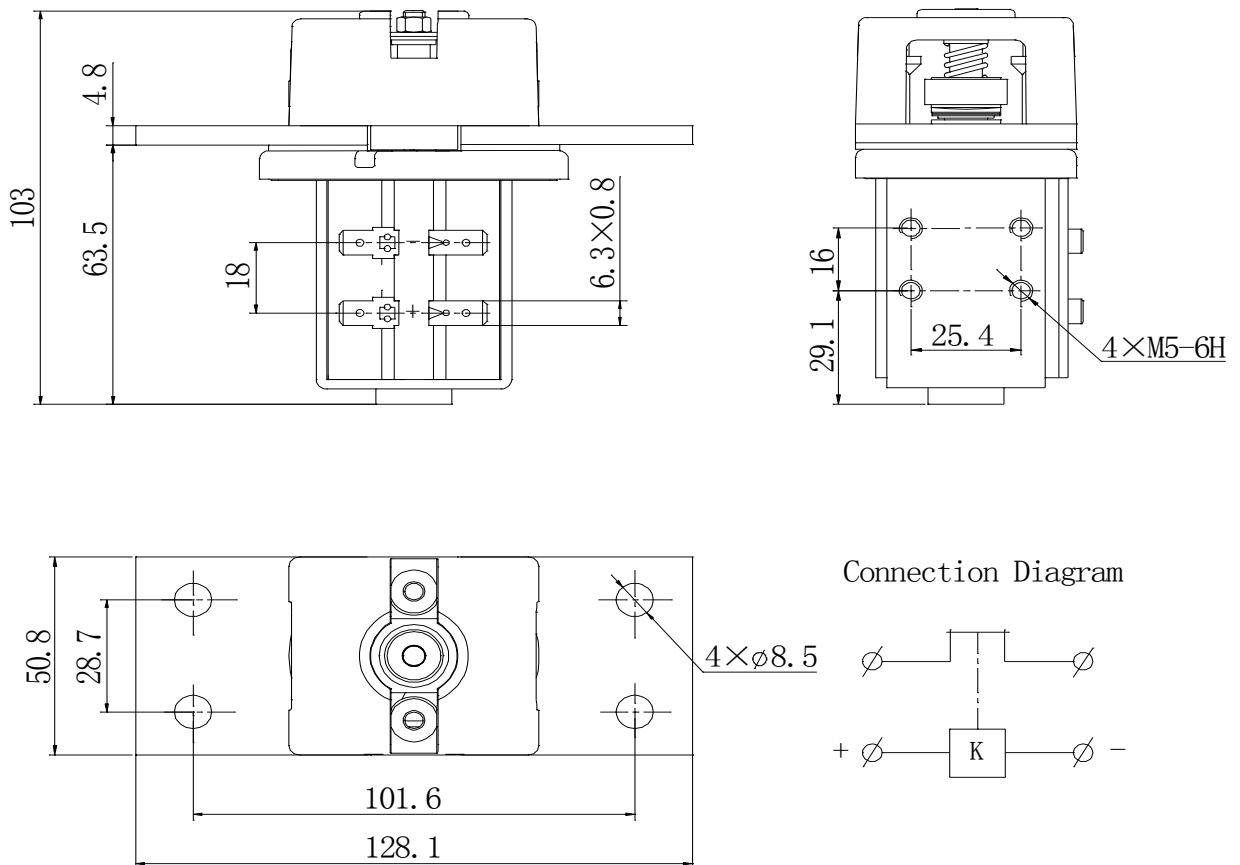
ZLJM - 400 C / □ .S



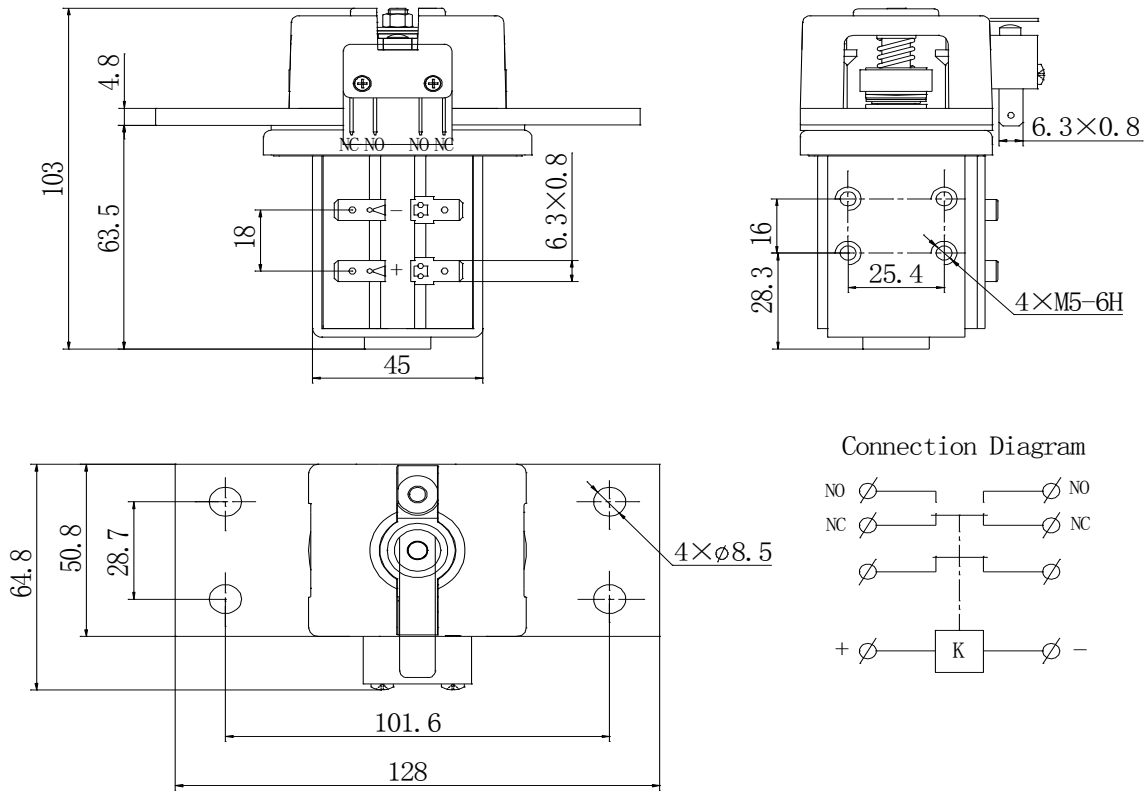
Example: ZLJM-400C/48.S; said: Magnetic latching DC Contactor, 400A for DC-1 load rated current, coil voltage 48VDC and accessory Aux. contact.

■ Shape installation and circuit diagram

ZLJM-400C/□



ZLJM-400C / □. S



Dimension (mm)	Tolerance grade not noted (mm)
0~30	±0.3
30~60	±0.5
60~100	±1
>100	±2

■ Remarks

1. Driving circuit power for coil must be no less than coil power; otherwise, it will reduce cutting capacity of product.
2. Continuous applied voltage should not exceed the maximum permission voltage. Otherwise, abnormal heating of coil will shorten the life of insulating coating.
3. This contactor is non-waterproof, please don't use in water, solvent, oil and other environment that may contact with the shell or terminal. Otherwise, it may cause abnormal heating due to the burn-in of shell or corrosion, dirty of terminal.