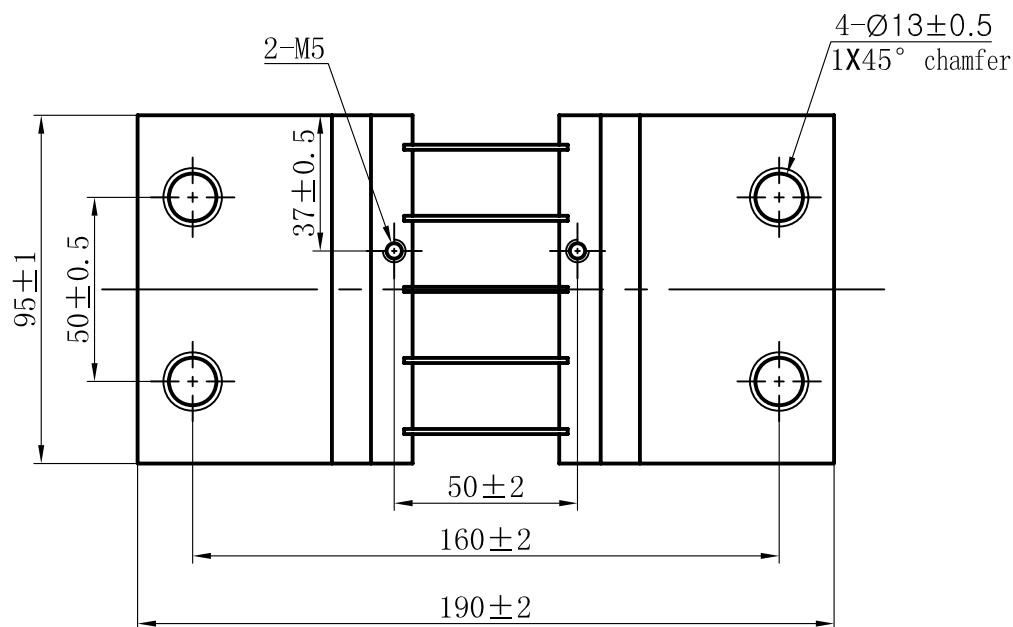
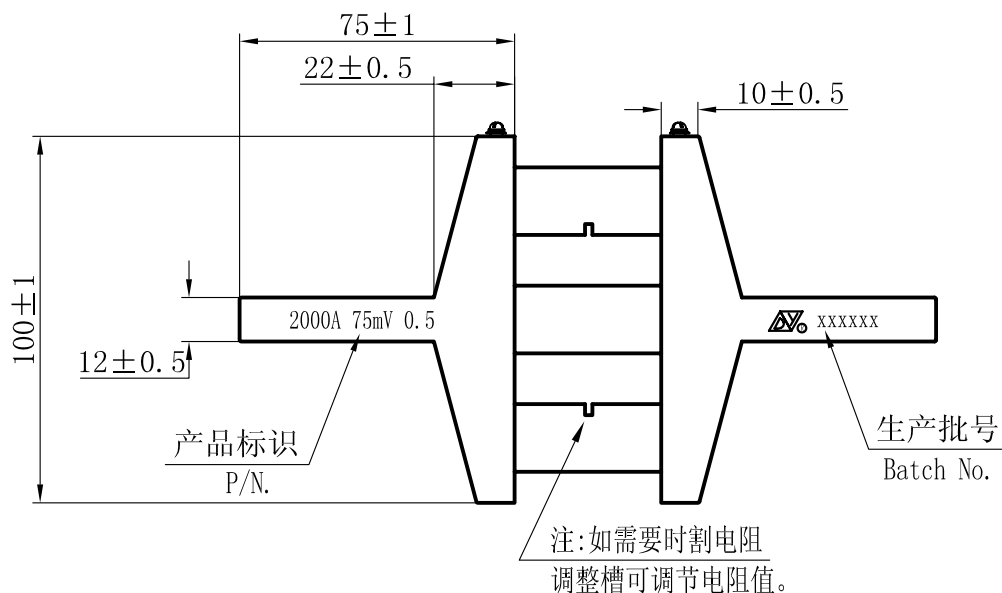


规格书

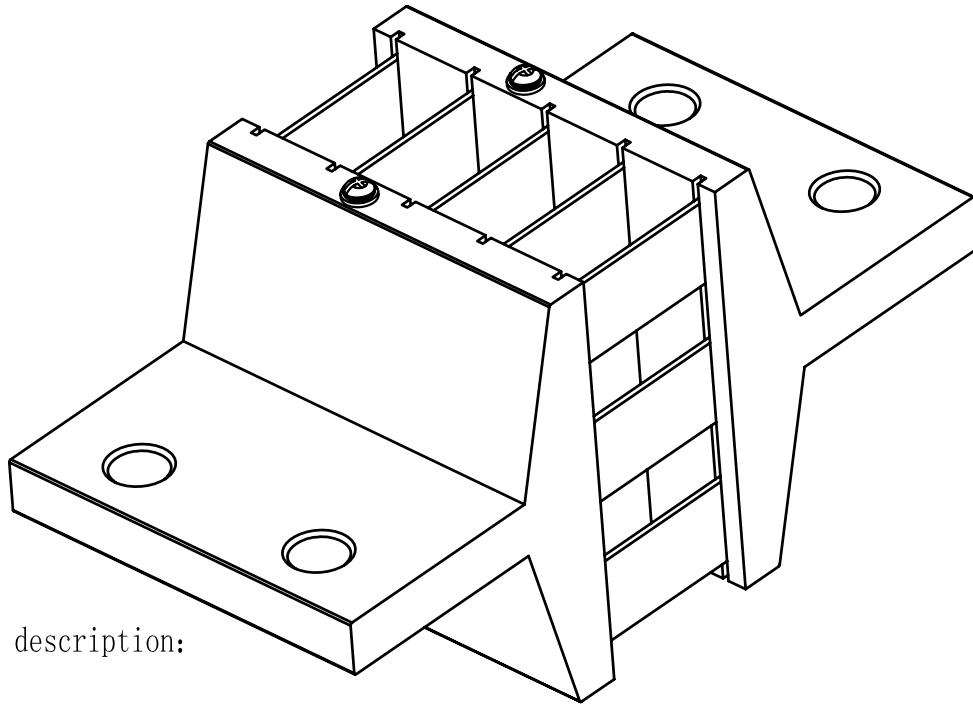
Technical Explanation

SH-T 2000A 75mV 0.5 Ni 分流器 Shunt



图纸比例: 1:2

浙江东亚电子有限公司
ZHEJIANG DONGYA ELECTRONIC CO., LTD



技术说明:

Technical description:

- 1、额定电流: 2000A 额定压降: 75mV 准确度等级: $\pm 0.5\%$ 。
Rated Current: 1500A; Rated voltage: 75mV; Resistance Tolerance: $\pm 0.5\%$.
- 2、表面处理: Cu/EP Ni3-5;电阻片表面处理:喷黑色氨基烘干磁漆。
Surface Treatment:Cu/EP Ni3-5; Resistance Plate Surface Treatment: Painted with black amino baking enamel.
- 3、测量方法: 电阻测试法或电流测试法。
Method of measurement: null balance Resistance bridge method.
- 4、分流器电阻片缺口为阻值调整缺口。
The grooves of shunt resistance pieces are used to adjust the resistance value.
- 5、附:2粒M5X8带弹、平垫片铜信号螺丝。
With M5X8 copper signal screw components including spring washer & flat gasket.
- 6、分流器适用标准:
Shunt applicable standards:
 - A: 产品标准:
Product standard:
国家标准: GB/T7676-1998 《直接作用模拟指示电测量仪表及其附件》。
National standard: GB/T7676-1998 《Direct acting indicating analogue electrical measuring instruments and their accessories 》。
 - B: 安规标准:
Safety:
IEC61010-1: 2001 《测量、控制和实验室用的电气设备的安全要求》 第一部份: 通用要求。
IEC61010-1: 2001 Safety requirements for electrical equipment for measurement, control, and laboratory use-Part 1:General requirements
 - C: 环境标准:
Environmental standard:
电子行业标准: SJ/T11363-2006 《电子信息产品中有毒有害物质的限量要求》。
Electric Stankard: SJ/T11363-2006 《Requirements for concentration limits for certain hazardous substances in electronic information products》。

浙江东亚电子有限公司
ZHEJIANG DONGYA ELECTRONIC CO., LTD