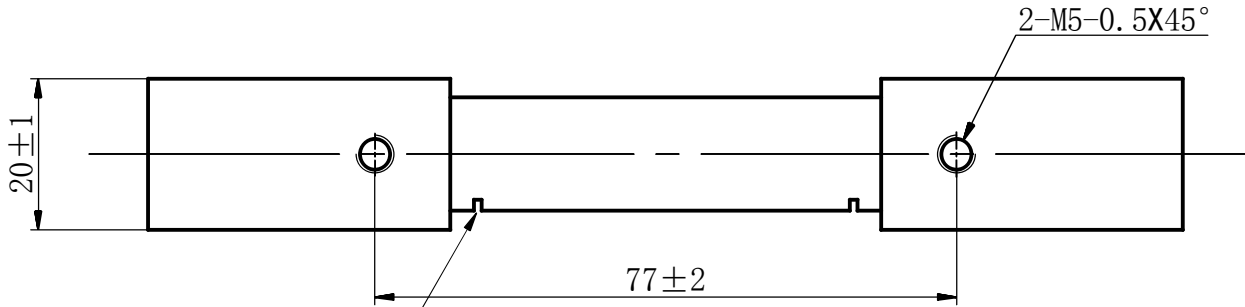


# 规格书

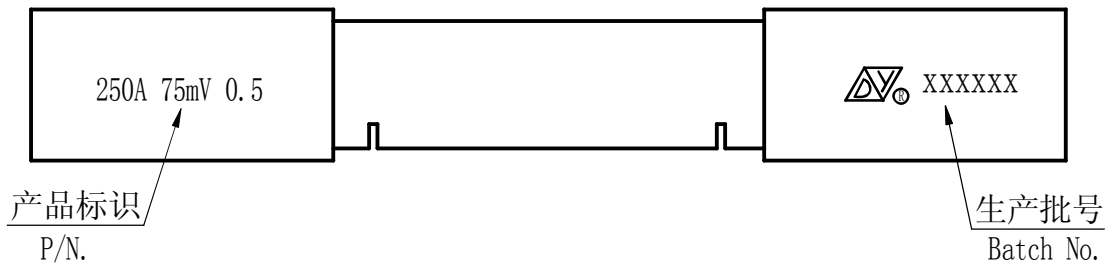
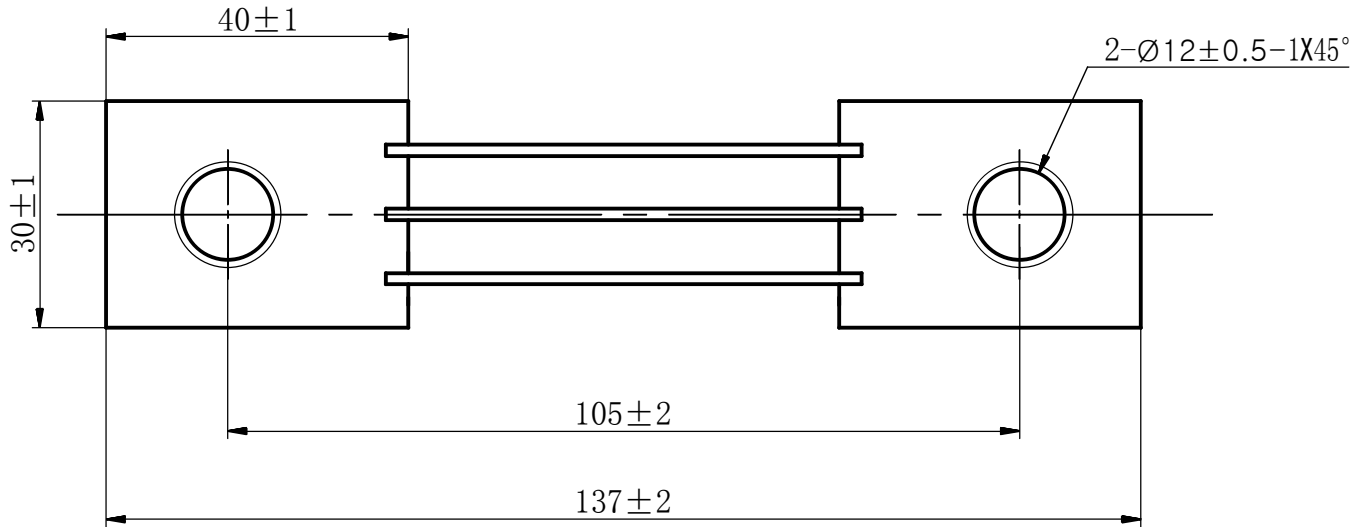
## Technical Explanation

SH-F 250A 75mV 0.5 分流器 Shunt

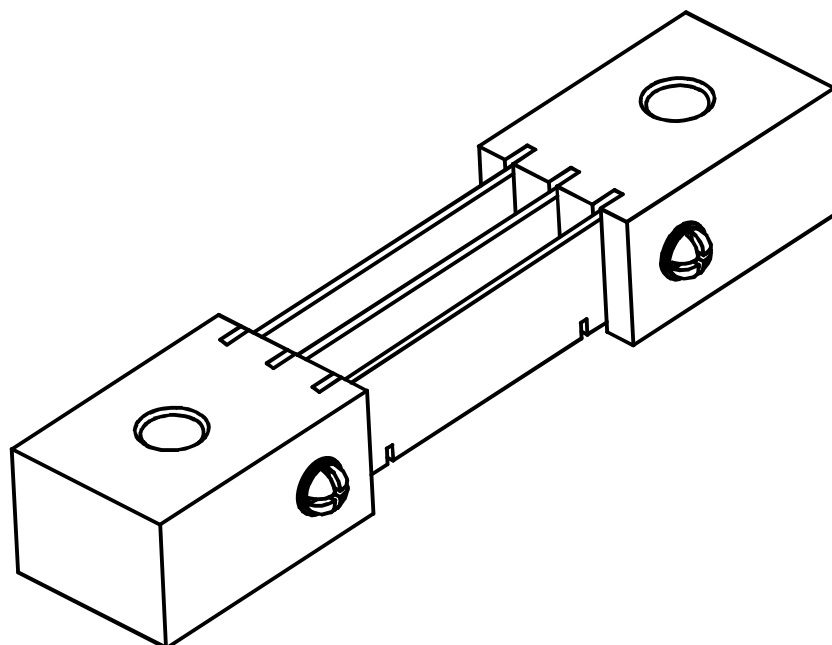


注: 如须需要时割电阻调整槽可调节电阻值。

Note: If necessary, there may be grooves on the resistance pieces to adjust the resistance value.



浙江东亚电子有限公司  
ZHEJIANG DONGYA ELECTRONIC CO., LTD



### 技术说明:

#### Technical description:

- 1、额定电流: 250A 额定压降: 75mV 准确度等级:  $\pm 0.5\%$ 。  
Rated Current: 250A; Rated voltage: 75mV; Resistance Tolerance:  $\pm 0.5\%$ .
- 2、表面处理: 酸洗、钝化处理。  
Surface treatment: Acid washing & passivation
- 3、测量方法: 电阻测试法或电流测试法。  
Method of measurement: null balance Resistance bridge method.
- 4、分流器电阻片缺口为阻值调整缺口。  
The grooves of shunt resistance pieces are used to adjust the resistance value.
- 5、附: 2粒M5X8带弹、平垫片铜信号螺丝。  
With M5X8 copper signal screw components including spring washer & flat gasket.
- 6、分流器适用标准:  
Shunt applicable standards:
  - A: 产品标准:  
Product standard:  
国家标准: GB/T7676-1998 《直接作用模拟指示电测量仪表及其附件》。  
National standard: GB/T7676-1998 《Direct acting indicating analogue electrical measuring instruments and their accessories 》。
  - B: 安规标准:  
Safety:  
IEC61010-1: 2001 《测量、控制和实验室用的电气设备的安全要求》 第一部份: 通用要求。  
IEC61010-1: 2001 Safety requirements for electrical equipment for measurement, control, and laboratory use-Part 1:General requirements
  - C: 环境标准:  
Environmental standard:  
电子行业标准: SJ/T11363-2006 《电子信息产品中有毒有害物质的限量要求》。  
Electric Stankard: SJ/T11363-2006 《Requirements for concentration limits for certain hazardous substances in electronic information products》。